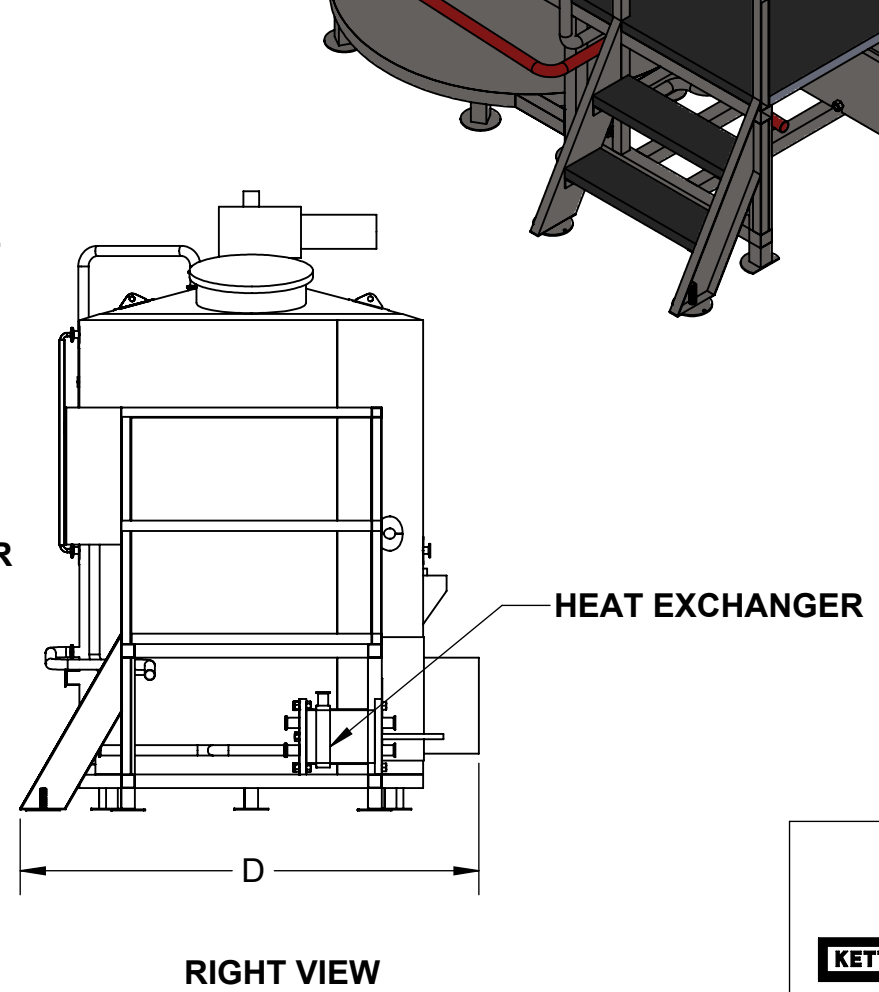
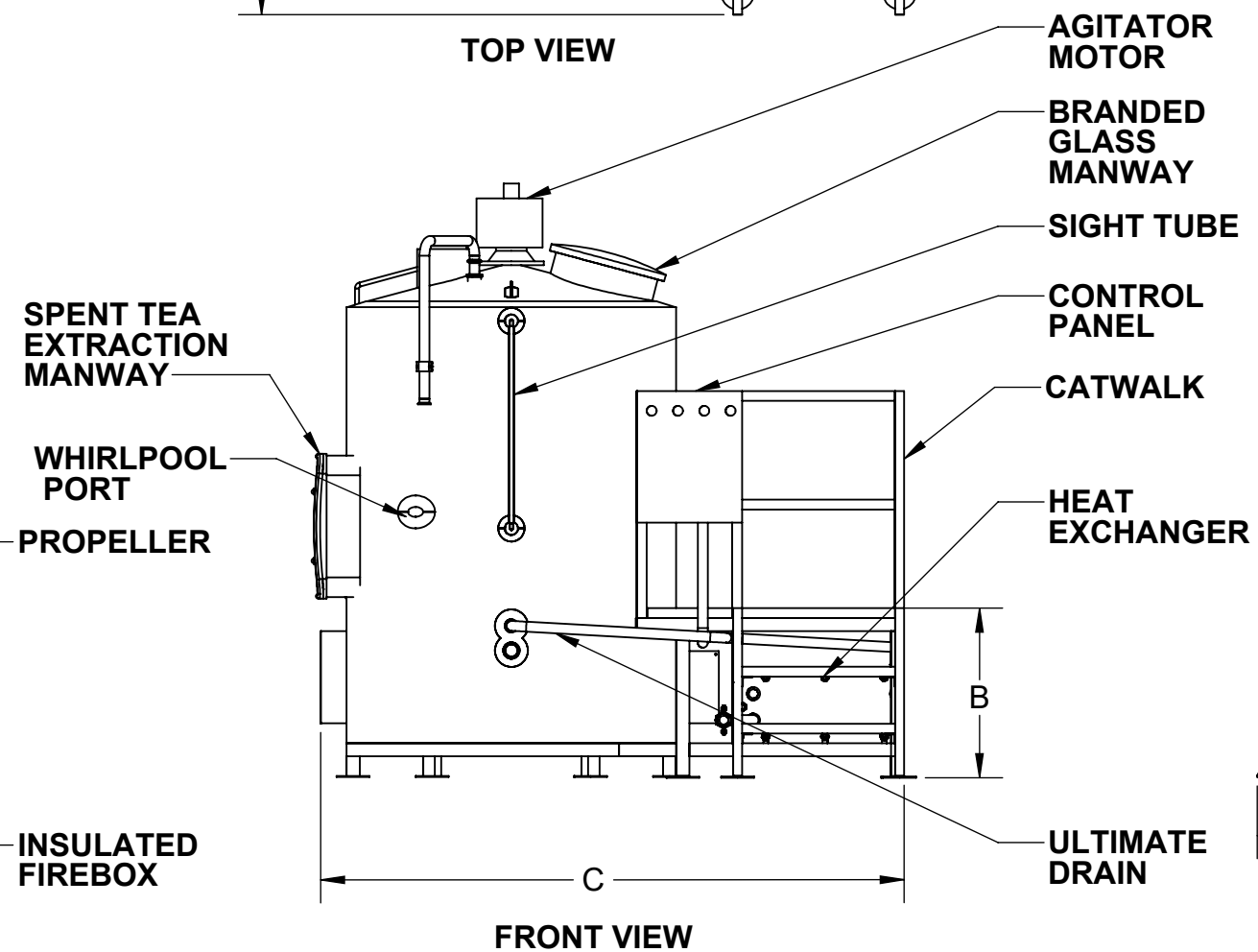
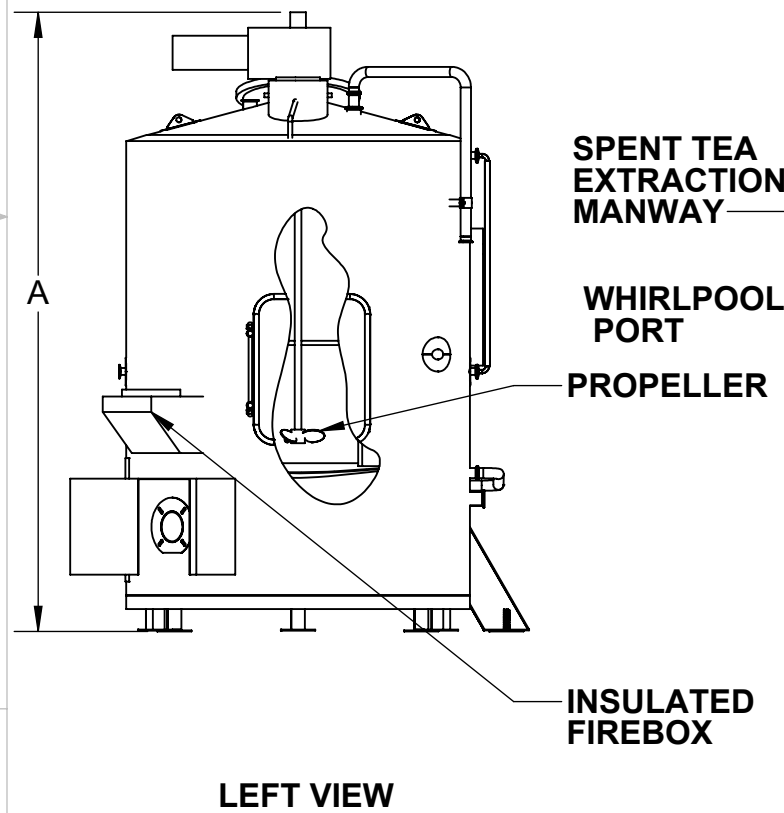
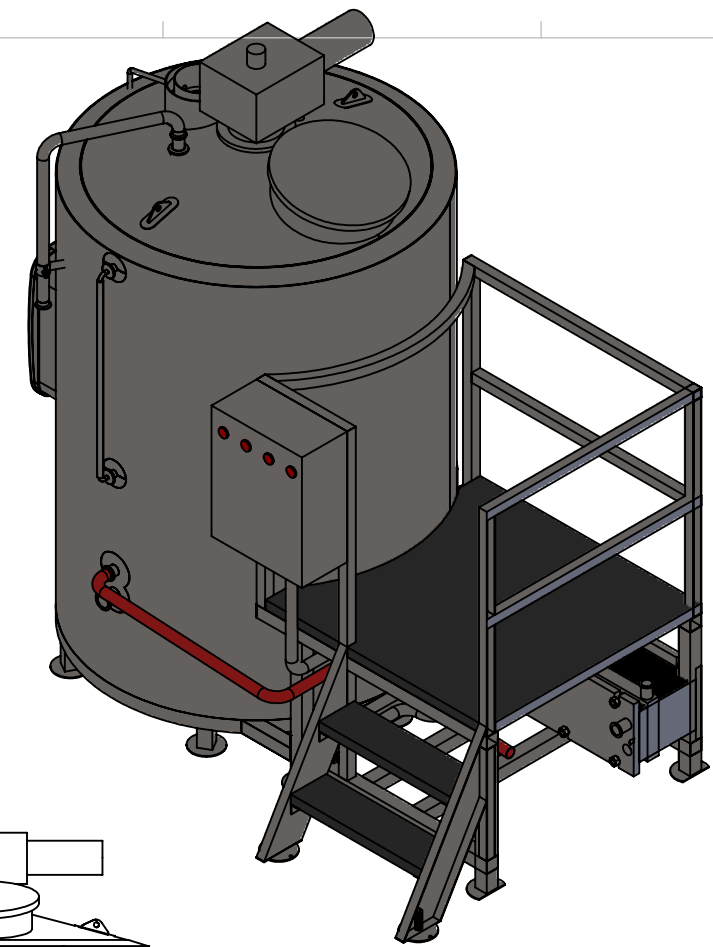
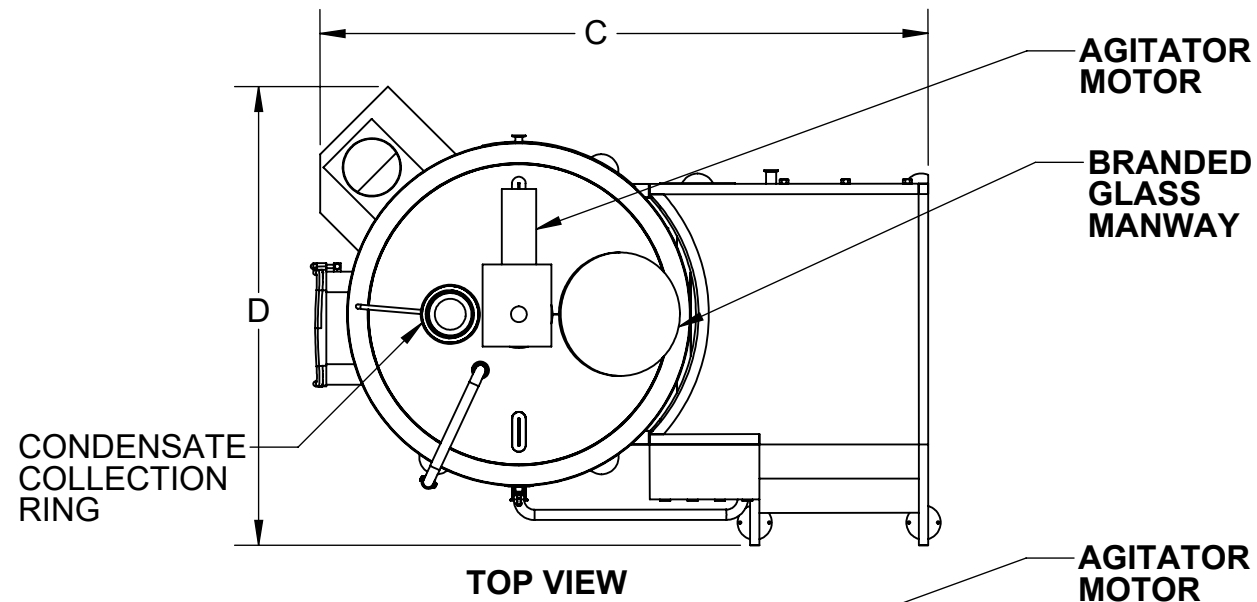


DIMENSIONS

- A: HEIGHT
- B: CATWALK HEIGHT
- C. WIDTH
- D. DEPTH



PORTLAND KETTLE WORKS

PROPRIETARY AND CONFIDENTIAL
 THE INFORMATION CONTAINED IN THIS DRAWING IS THE SOLE PROPERTY OF PORTLAND KETTLE WORKS. ANY REPRODUCTION IN PART OR AS A WHOLE WITHOUT THE WRITTEN PERMISSION OF PORTLAND KETTLE WORKS IS PROHIBITED.

UNLESS OTHERWISE SPECIFIED:		NAME	DATE	TITLE:
DIMENSIONS ARE IN INCHES	INTERPRET GEOMETRIC TOLERANCING PER: ASME	DRAWN	SF	
TOLERANCES:		CHECKED		
FRACTIONAL: ± 1/8	MATERIAL	ENG APPR.		
ANGULAR: ± 1°	Material <not specified>	MFG APPR.		
TWO PLACE DECIMAL: ± 0.01	FINISH	Q.A.		
THREE PLACE DECIMAL: ± 0.005	DO NOT SCALE DRAWING			
		SIZE	PART NUMBER	REV
		B	CHA-MASTER MODELING ASSEMBLY	-
		SCALE: 1:32	WEIGHT: 981.75 LBS	SHEET 1 OF 1